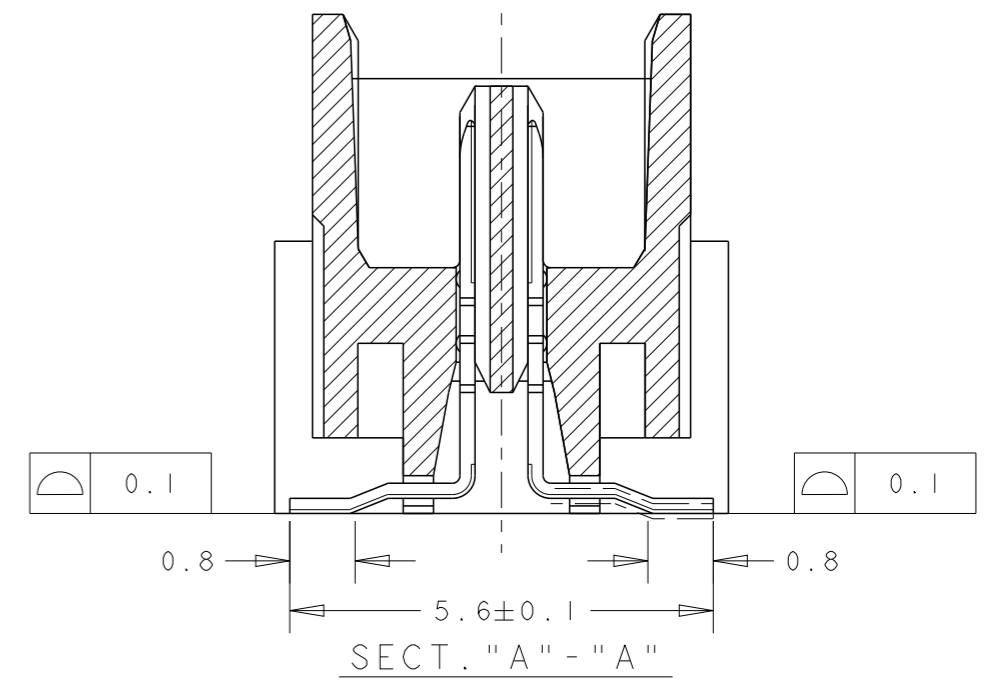
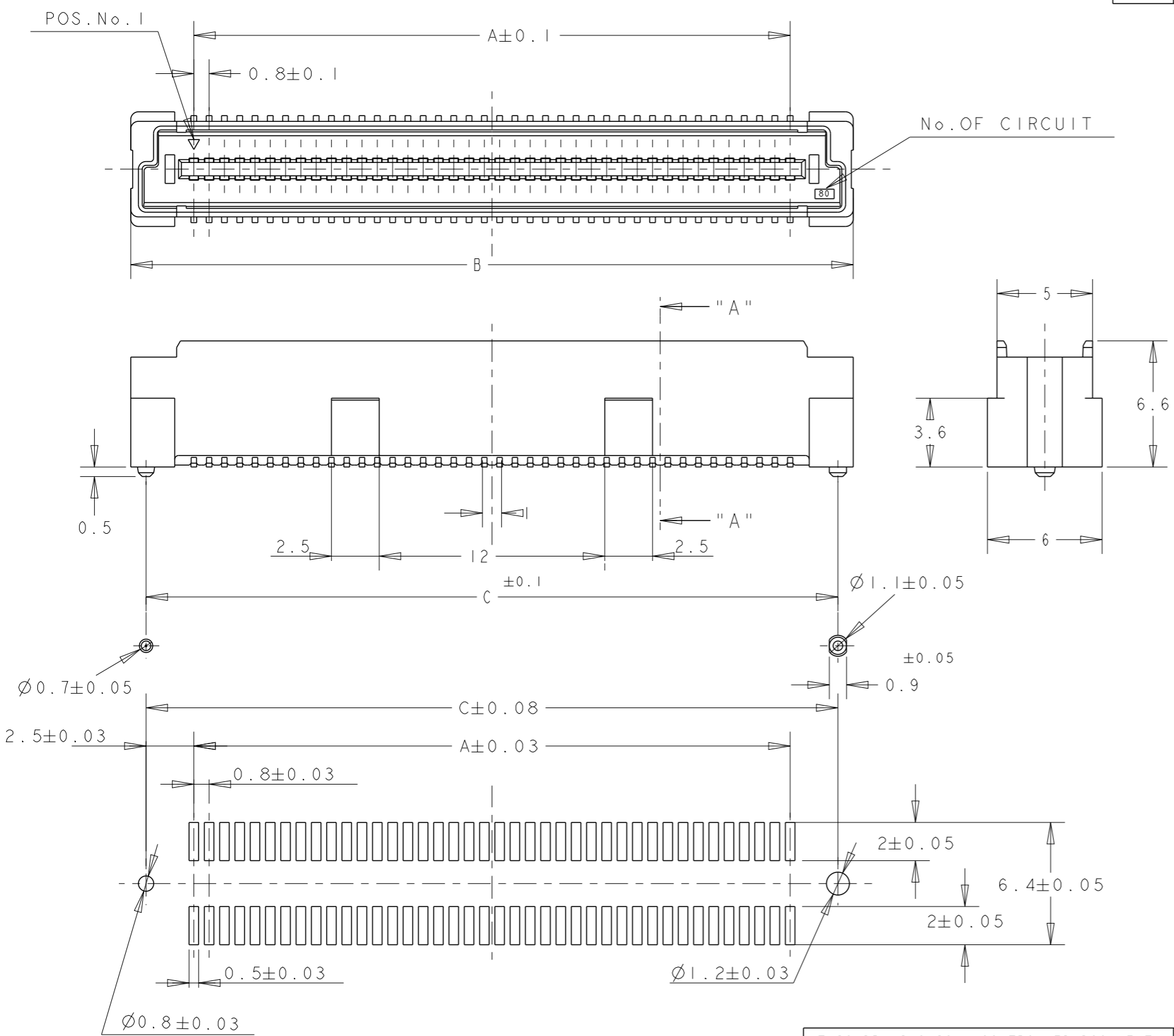


THIS DRAWING IS UNPUBLISHED. RELEASED FOR PUBLICATION 20  
 © COPYRIGHT 20 BY - ALL RIGHTS RESERVED.


LOC		DIST		REVISIONS			
P	LTR	DESCRIPTION	DATE	DWN	APVD		
DY	-	B2	REVISED PER ECR-12-021394	12DEC12	IT	SY	



- NOTES:
- 1 MATERIAL:  
HOUSING: L.C.P. (HIGH TEMP THERMO PLASTIC)  
UL 94V-0, NATURAL.  
CONTACT: BRASS.
  - 2 FINISH:  
CONTACT AREA: 0.0002 MIN GOLD ON  
0.0013 MIN ALL OVER NICKEL.
  - 3 SOLDERING AREA: 0.002 MIN MATTE-TIN.
  - 4 POSITION SERIES: SEE TABLE.
  - CONN STACK HEIGHT COMBINE OF PLUG "Y" H VS REC "X" H.  
STACK HEIGHT = Y + X - 5
  - 5 FINISH:  
CONTACT AREA: 0.00076 MIN GOLD ON  
0.0013 MIN ALL OVER NICKEL.  
SOLDERING AREA: 0.002 MIN MATTE-TIN.
  - 6 OBSOLETE PARTS: OBSOLETE CIS STREAMLINING PER  
D.RENAUD/D.SINISI.
  - 7 FINISH:  
CONTACT AREA: 0.00038 MIN GOLD ON  
0.0013 MIN ALL OVER NICKEL.  
SOLDERING AREA: 0.002 MIN MATTE-TIN.

RECOMMENDED P.C. BOARD LAYOUT

P/N SEE SHEET 2 AND 3 OF 3

THIS DRAWING IS A CONTROLLED DOCUMENT.		DWN FLORENCE TAN 30AUG04	 TE Connectivity	
DIMENSIONS: mm		CHK ERIC TNG		
TOLERANCES UNLESS OTHERWISE SPECIFIED:		APVD SE LEONG	NAME PLUG ASSEMBLY 7H TYPE (0.5 BOSS LENGTH) FOR FH 0.8mm PITCH BTB CONNECTOR	
0 PLC ± 1 PLC ±0.30 2 PLC ±0.25 3 PLC ±0.20 4 PLC ± ANGLES ±3°		PRODUCT SPEC 108-5390	SIZE A300779	
MATERIAL		APPLICATION SPEC 114-5254	DRAWING NO C-5179030	
FINISH SEE P/N TABLE		WEIGHT -	RESTRICTED TO -	
		CUSTOMER DRAWING	SCALE 4:1	SHEET 1 OF 3
			REV B2	

THIS DRAWING IS UNPUBLISHED.

RELEASED FOR PUBLICATION

20

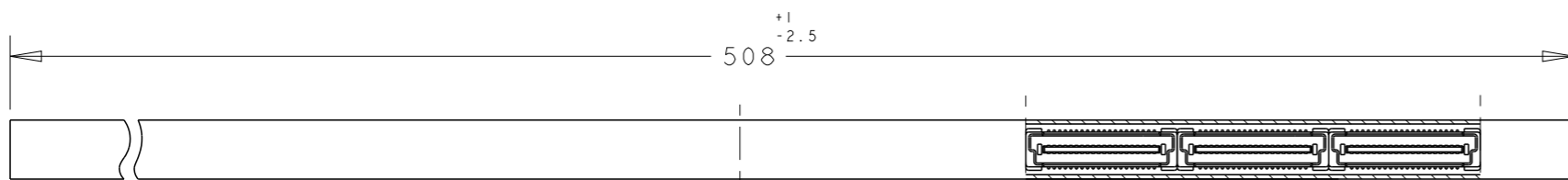
© COPYRIGHT 20 BY -

ALL RIGHTS RESERVED.

LOC DIST  
DY -

REVISIONS

P	LTR	DESCRIPTION	DATE	DWN	APVD
		SEE HEET 1			



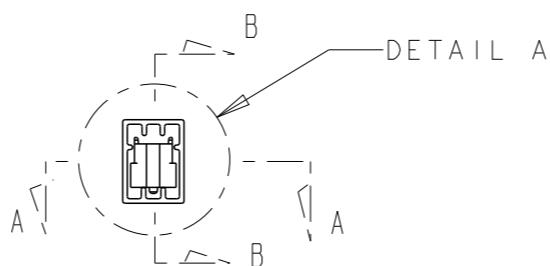
SECT A-A



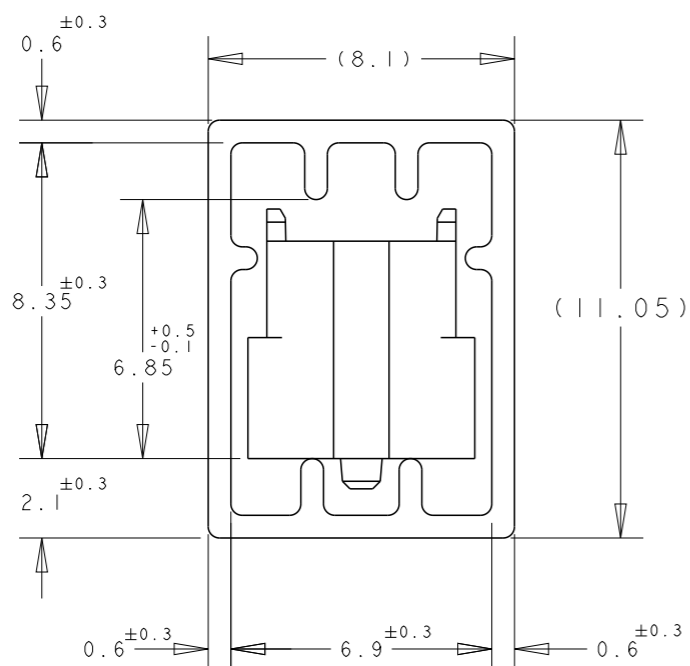
SECT B-B

P/N 9-912056-7 PLUG ASS'Y (H=5mm, W/STEEL COVER), 0.8mm BTB STACKING CONN

REFERENCE PICTURE OF TUBE PACK



DETAIL A



DETAIL "B" (SCALE 5-1)

CNT PLT	FINISH	AVAILABILITY	QTY/TUBE	C	B	A	POS.	CONN P/N	
15Au/Sn	△	NOT AVAILABLE	5	84.2	85.8	79.2	200	4- -0	
			6	76.2	77.8	71.2	180	3- -9	
			6	68.2	69.8	63.2	160	3- -8	
			7	60.2	61.8	55.2	140	3- -6	
		AVAILABLE	9	52.2	53.8	47.2	120	3- -5	
		NOT AVAILABLE		10	44.2	45.8	39.2	100	3- -4
				12	36.2	37.8	31.2	80	3- -3
				16	28.2	29.8	23.2	60	3- -2
				22	20.2	21.8	15.2	40	3- -1
		30Au/Sn	△	AVAILABLE	5	84.2	85.8	79.2	200
	6			76.2	77.8	71.2	180	1- -9	
	6			68.2	69.8	63.2	160	1- -8	
	7			64.2	65.8	59.2	150	1- -7	
	7			60.2	61.8	55.2	140	1- -6	
AVAILABLE	9			52.2	53.8	47.2	120	1- -5	
	10			44.2	45.8	39.2	100	1- -4	
	12			36.2	37.8	31.2	80	1- -3	
	16			28.2	29.8	23.2	60	1- -2	
	22			20.2	21.8	15.2	40	1- -1	
08Au/Sn	△	AVAILABLE	5	84.2	85.8	79.2	200	1- -0	
			6	76.2	77.8	71.2	180	-9	
			6	68.2	69.8	63.2	160	-8	
			7	64.2	65.8	59.2	150	-7	
			7	60.2	61.8	55.2	140	-6	
		AVAILABLE	9	52.2	53.8	47.2	120	-5	
			10	44.2	45.8	39.2	100	-4	
			12	36.2	37.8	31.2	80	-3	
			16	28.2	29.8	23.2	60	-2	
			22	20.2	21.8	15.2	40	5179030-1	

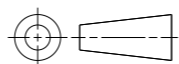
THIS DRAWING IS A CONTROLLED DOCUMENT.

DWN FLORENCE TAN 30AUG04



DIMENSIONS: mm

TOLERANCES UNLESS OTHERWISE SPECIFIED:



0 PLC	±
1 PLC	±0.30
2 PLC	±0.25
3 PLC	±0.20
4 PLC	±
ANGLES	±3°

MATERIAL



FINISH SEE P/N TABLE

CHK

ERIC TNG

APVD

SE LEONG

PRODUCT SPEC

108-5390

APPLICATION SPEC

114-5254

WEIGHT

-

CUSTOMER DRAWING

NAME PLUG ASSEMBLY 7H TYPE (0.5 BOSS LENGTH) FOR FH 0.8mm PITCH BTB CONNECTOR

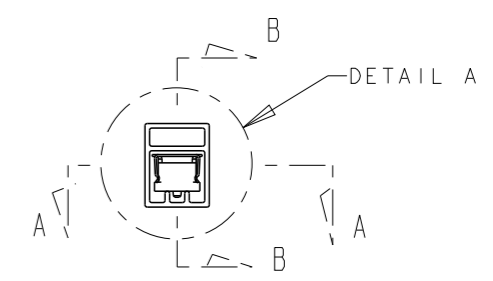
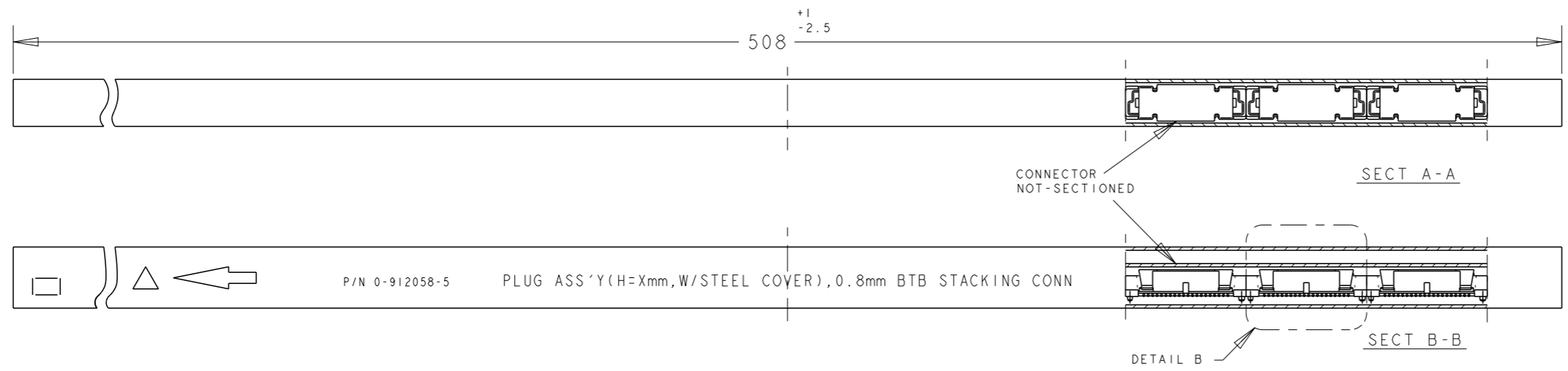
SIZE CAGE CODE DRAWING NO RESTRICTED TO

A300779C-5179030

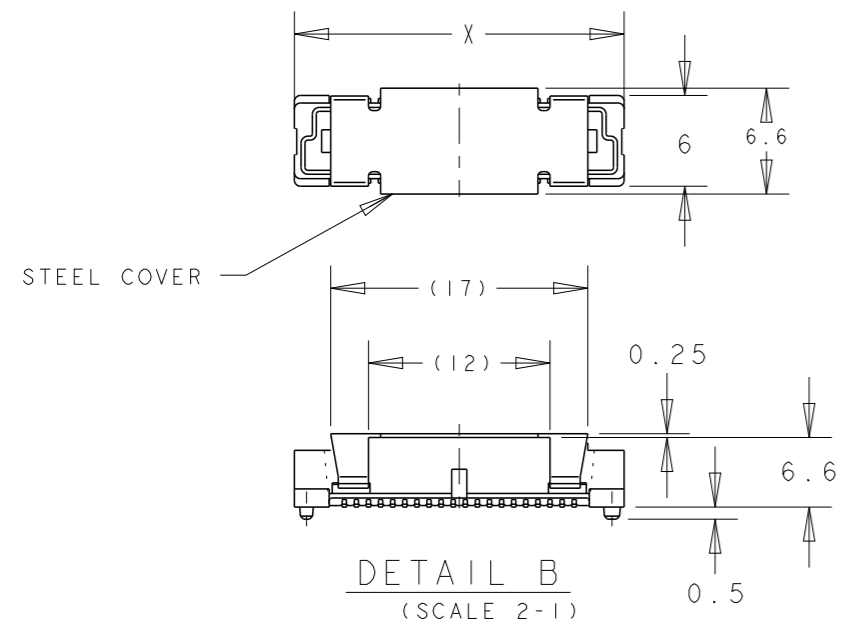
SCALE 4:1 SHEET 2 OF 3 REV B2

THIS DRAWING IS UNPUBLISHED. RELEASED FOR PUBLICATION 20  
 © COPYRIGHT 20 BY - ALL RIGHTS RESERVED.

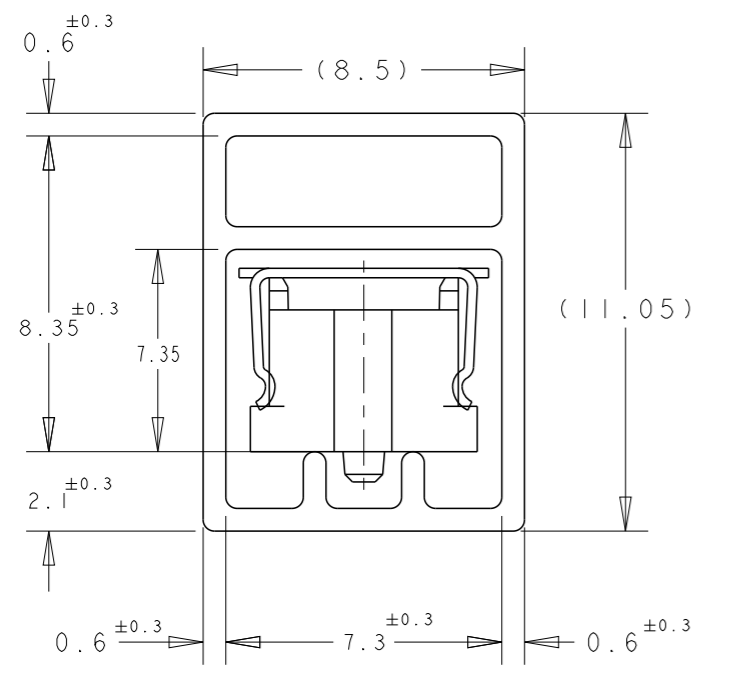
LOC DY	DIST -	REVISIONS		
P	LTR	DESCRIPTION	DATE	DWN APVD
		SEE HEET I		



### PLUG TUBE ASSY WITH STEEL COVER FOR FH 0.8 B-T-B CONNECTOR



DETAIL B  
(SCALE 2-1)



DETAIL A  
(SCALE 5-1)

CNT PLT 30Au/Sn 5	AVAILABLE	5	85.8	200	3-	-0	
		6	77.8	180	2-	-9	
		6	69.8	160	2-	-8	
	WITH STEEL COVER	AVAILABLE	7	65.8	150	2-	-7
			7	61.8	140	2-	-6
			9	53.8	120	2-	-5
			10	45.8	100	2-	-4
			12	37.8	80	2-	-3
			16	29.8	60	2-	-2
		22	21.8	40	2-5179030-1		
FINISH/REMARKS	AVAILABILITY	QTY/TUBE	X	POS.	CONN P/N		

THIS DRAWING IS A CONTROLLED DOCUMENT.		DWN FLORENCE TAN 30AUG04
DIMENSIONS: mm		CHK ERIC TNG
TOLERANCES UNLESS OTHERWISE SPECIFIED:		APVD SE LEONG
0 PLC ±-	1 PLC ±0.30	PRODUCT SPEC 108-5390
2 PLC ±0.25	3 PLC ±0.20	APPLICATION SPEC 114-5254
4 PLC ±-	ANGLES ±3°	WEIGHT -
MATERIAL △	FINISH SEE P/N TABLE	CUSTOMER DRAWING

TE Connectivity		NAME PLUG ASSEMBLY 7H TYPE (0.5 BOSS LENGTH) FOR FH 0.8mm PITCH BTB CONNECTOR		
		SIZE A300779	DRAWING NO C-5179030	
RESTRICTED TO -		SCALE 4:1	SHEET 3 OF 3	REV B2